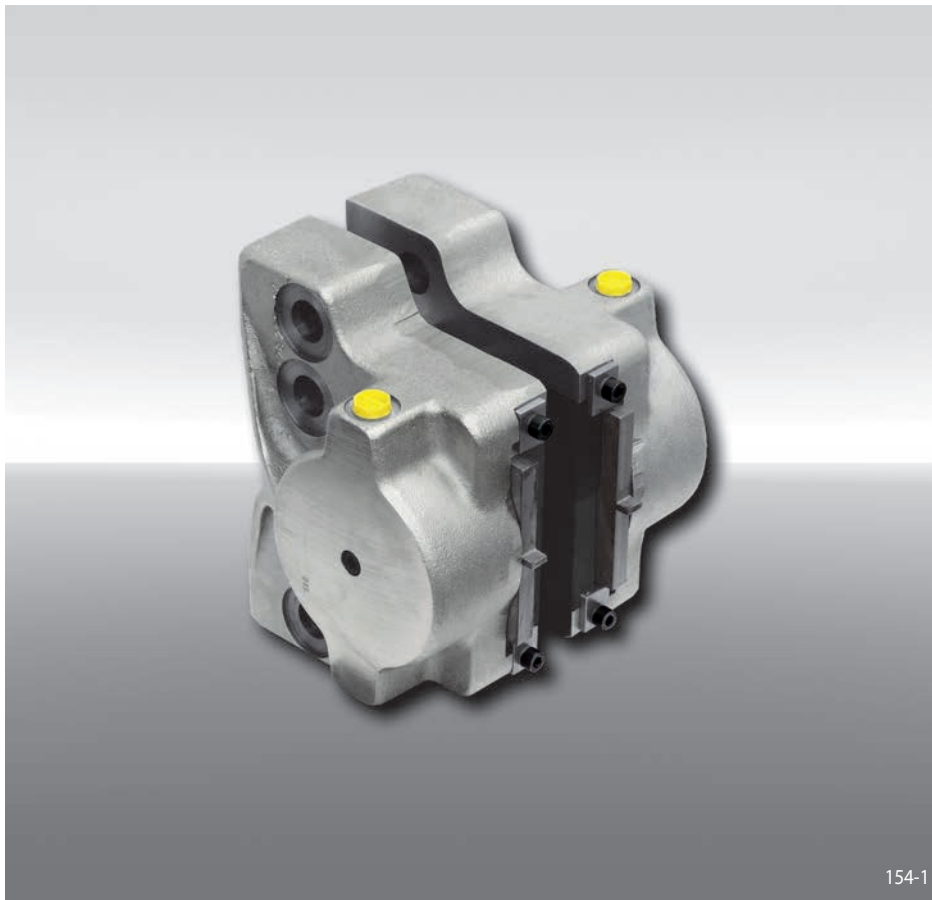


# Brake Caliper HW 100 HFA

hydraulically activated – spring released



## Features

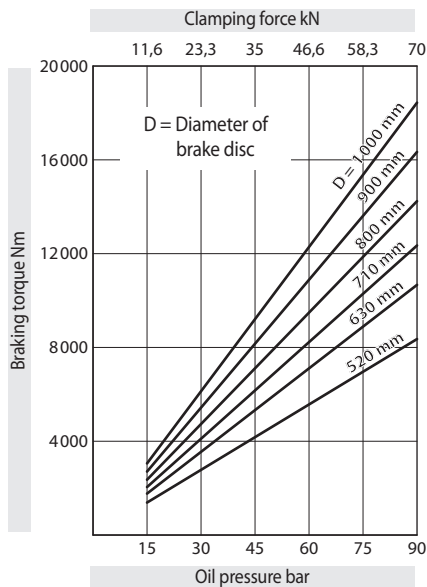
Features	Code
Brake Caliper	H
Standard	W
With piston diameter 100 mm	100
Hydraulically activated	H
Spring released	F
Automatic adjustment to accommodate friction block wear	A
Max. clamping force 70 kN	070

## Example for ordering

Brake Caliper HW 100 HFA,  
max. clamping force 70 kN:

HW 100 HFA - 070

## Technical Data



The braking torques shown in the diagram are based on a theoretical friction coefficient of 0,3.

Oil pressure: min. 5 bar  
max. 90 bar

Oil volume: max. 298 cm<sup>3</sup>

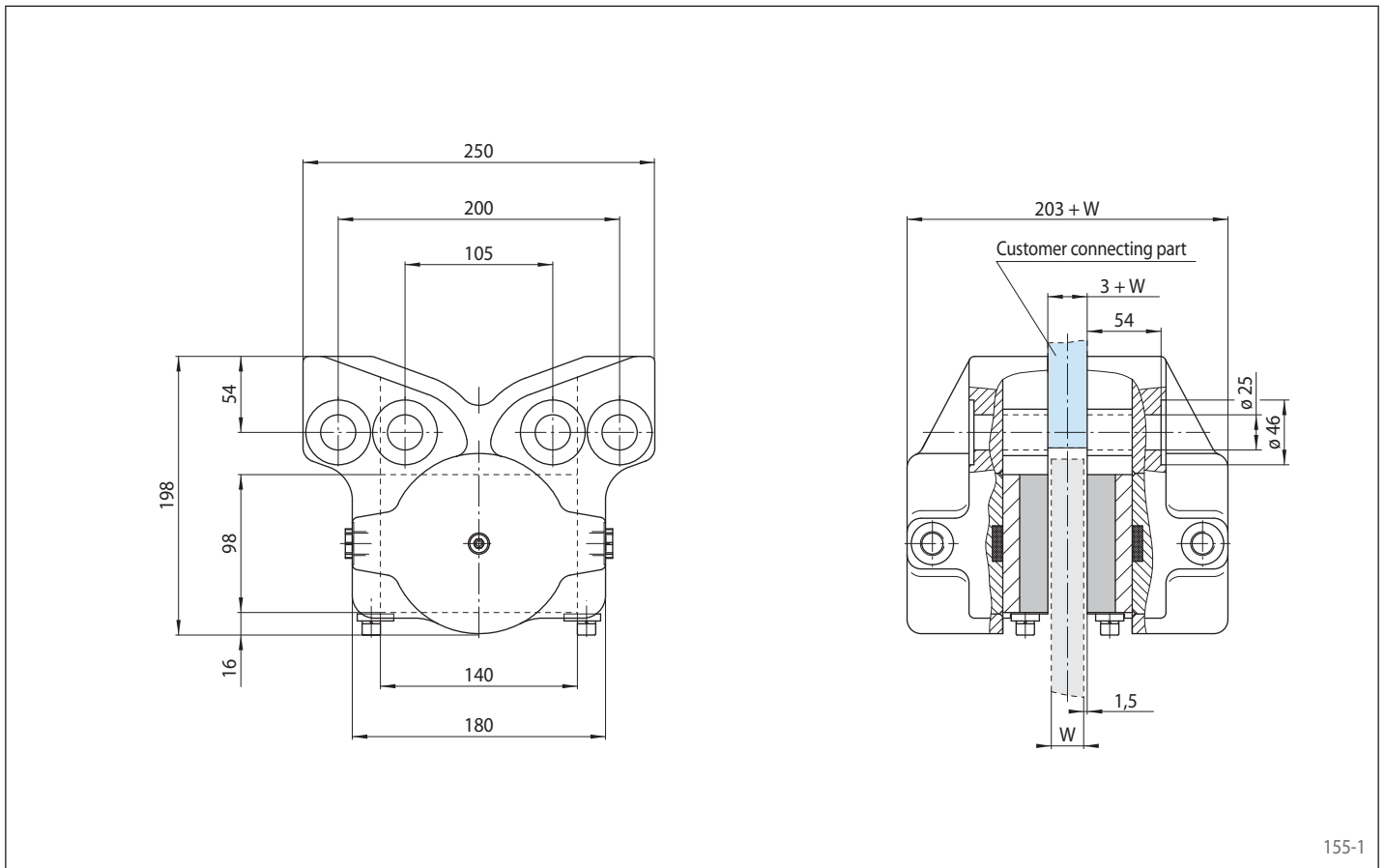
Weight: 30 kg

## Other features

- The thickness of the customer connecting part results from the thickness of the brake disc W plus 3 mm

# Brake Caliper HW 100 HFA

hydraulically activated – spring released



155-1

## Mounting

