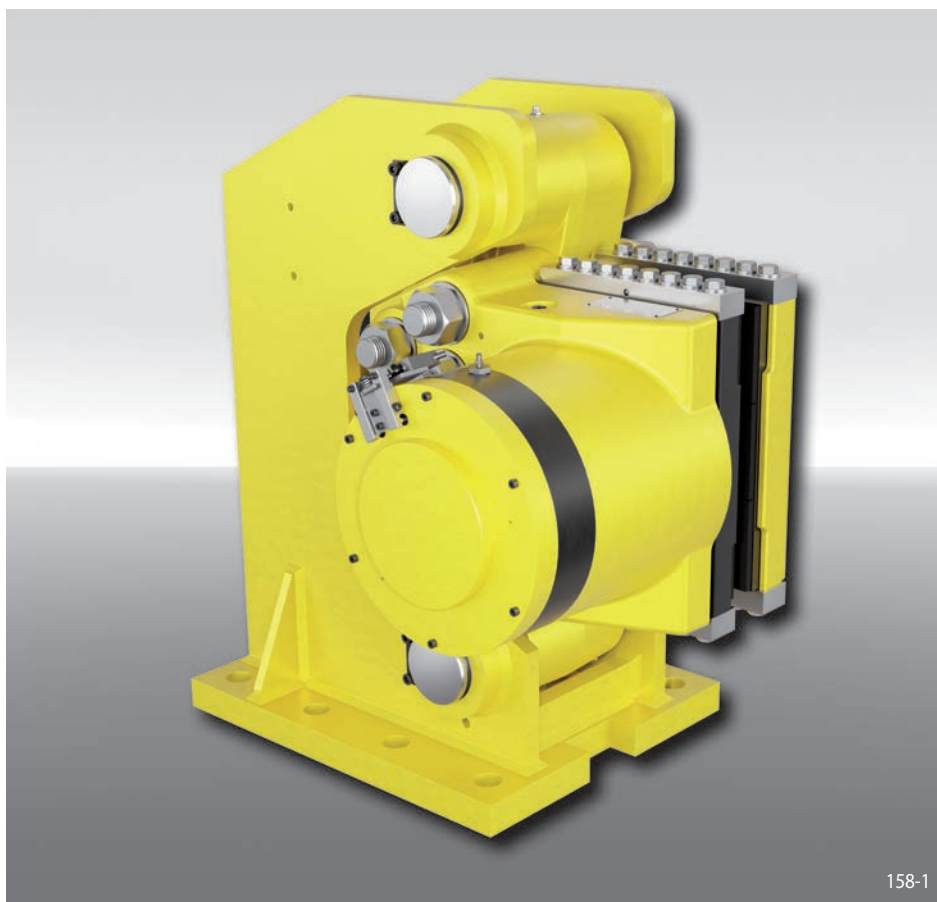


# Brake Caliper HS 215 FHM-560 ... -H

spring activated – hydraulically released



Features	Code
Brake Caliper	H
Floating caliper	S
Frame size 215	215
Spring activated	F
Hydraulically released	H
Manual adjustment to accommodate friction block wear	M
Max. clamping force 560 kN	560
Thruster mounted right or left available	R L
Mounting to the machine at right angles to the brake disc	H

### Example for ordering

Brake Caliper HS 215 FHM, max. clamping force 560 kN, thruster mounted left, mounting to the machine at right angles to the brake disc

HS 215 FHM-560 L-H

### Technical Data

Brake disc diameter	Braking torque
mm	Nm
1 000	164 400
1 250	220 000
1 600	297 800
2 000	386 700
3 000	608 900
3 500	720 000
4 000	831 100
Clamping force	560 kN
Oil pressure	min. 230 bar max. 250 bar
Oil volume	max. 150 cm <sup>3</sup>
Thickness of brake disc W	30 mm
Weight	880 kg

The braking torques shown in the table are based on a theoretical friction coefficient of 0,4.

### Working conditions

- Ambient temperature: -20 °C / +60 °C
- Air humidity: <90%

### Monitoring switch

- 240 VAC 1.5 A; 250 VDC 0.1 A
- Cable 5 x 0.75 mm<sup>2</sup>, length 2 m, outer diameter 7.5 mm
- Protection type IP67

### Optionen

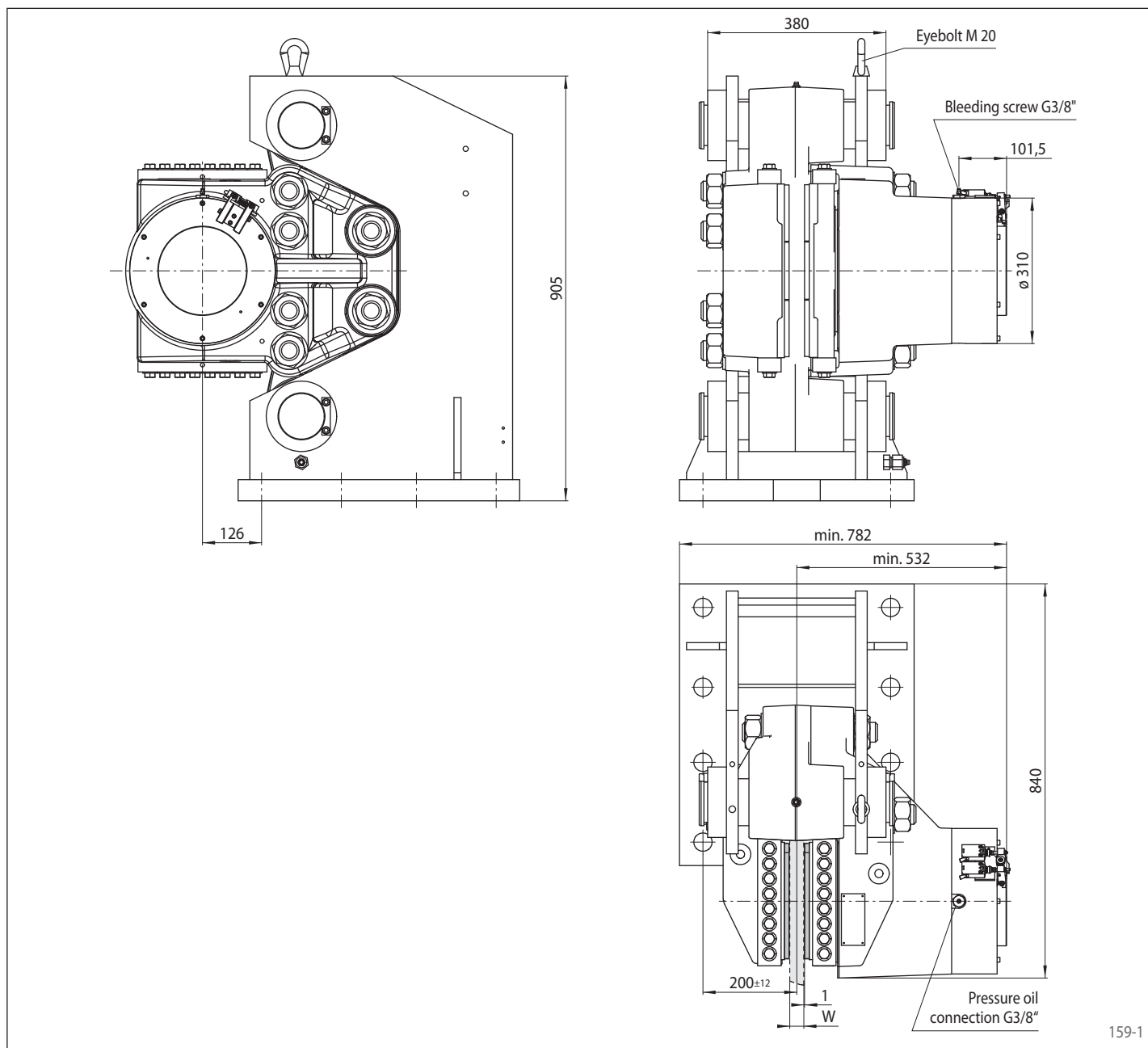
- Integrated Hydraulic Power Unit
- Friction pads with wear indicator cables or sintered friction linings (for high temperatures)
- Corrosion-protected version
- Low temperature version
- Offshore certifications
- ATEX certifications for hazardous areas

### Notes

- Eyebolts included
- **Fastening:**  
8 screws M 36, class 8.8 with tightening torque 2 200 Nm ±10% μ 0.15 (not supplied)

# Brake Caliper HS 215 FHM-560 ... -H

spring activated – hydraulically released



## Mounting

